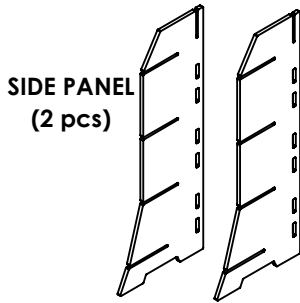


# #18002, #18443 Wooden Large Floor Standing 4 Shelf Display with Headboard

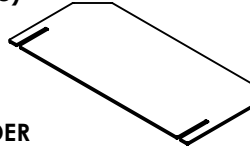
## ASSEMBLY INSTRUCTIONS

READ ALL INSTRUCTIONS BEFORE YOU BEGIN. DO NOT JUMP AHEAD OF ANY STEP.

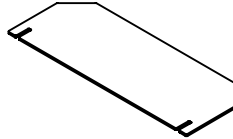
### PARTS LIST:



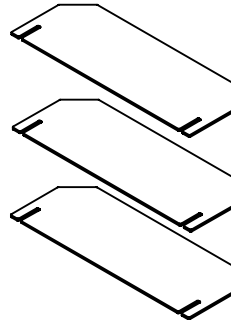
**BOTTOM SHELF**  
(1 pc)



**HEADER**  
(1 pc)

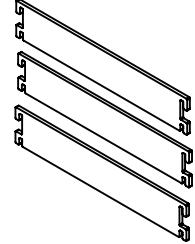


**MIDDLE SHELF**



18002 - 3x  
18443 - 2x

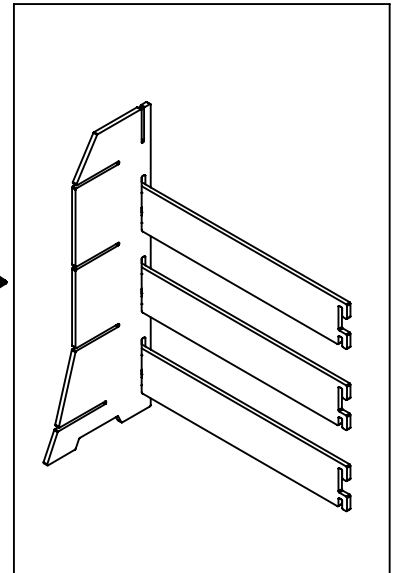
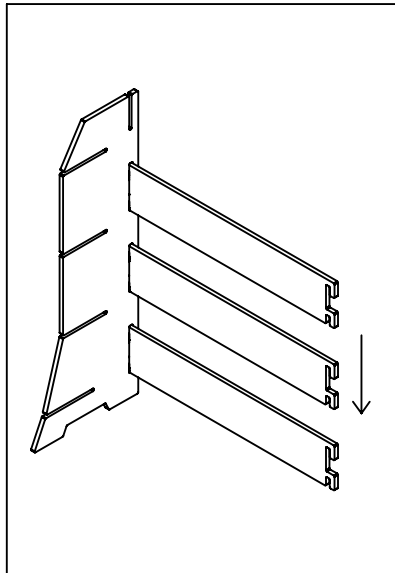
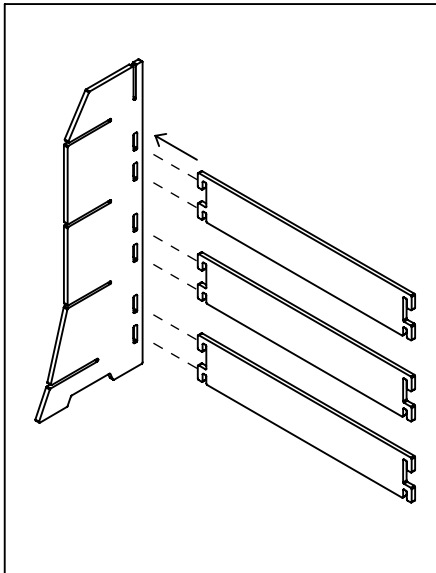
**SUPPORTS**  
(3 pcs)



**\*RECOMMENDED : 2 PERSON ASSEMBLY**

\*\* RECOMMENDED TOOLS: Rubber Mallet (Sold Separately)

**STEP 1:** On an even flat surface stand a Side Panel upright, as shown below. While holding the Side Panel upright, simultaneously slide the hooks on one of the Supports into the corresponding slots on Side Panel. Slide the Supports down until the hooks fully engage the slots on the Side Panel. *Note: If needed, using a rubber mallet (sold separately), gently tap the parts into place.*

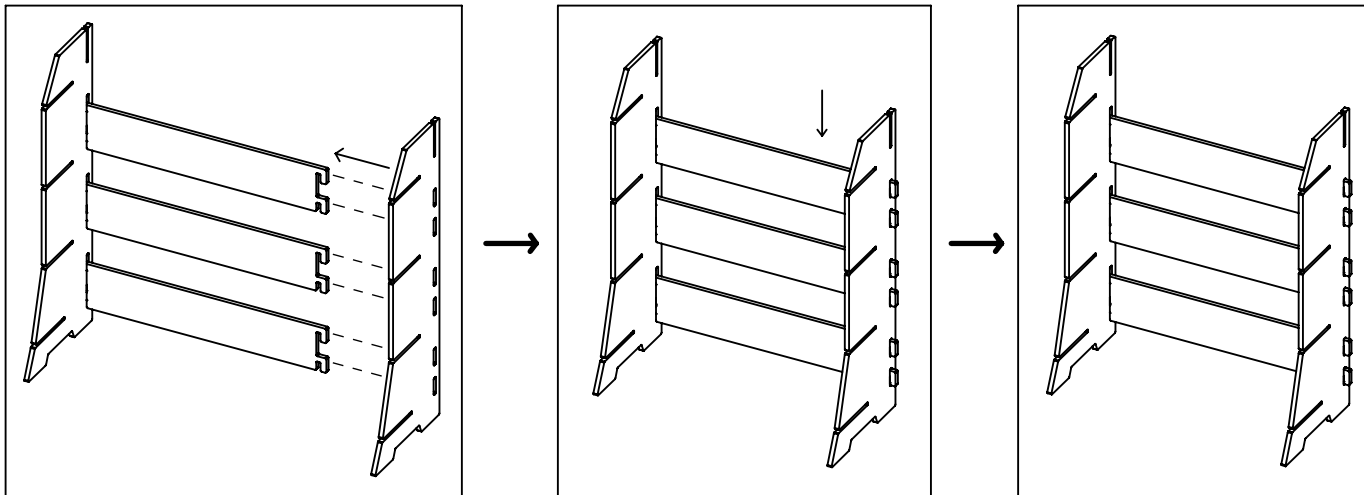


# #18002, #18443 Wooden Large Floor Standing 4 Shelf Display with Headboard

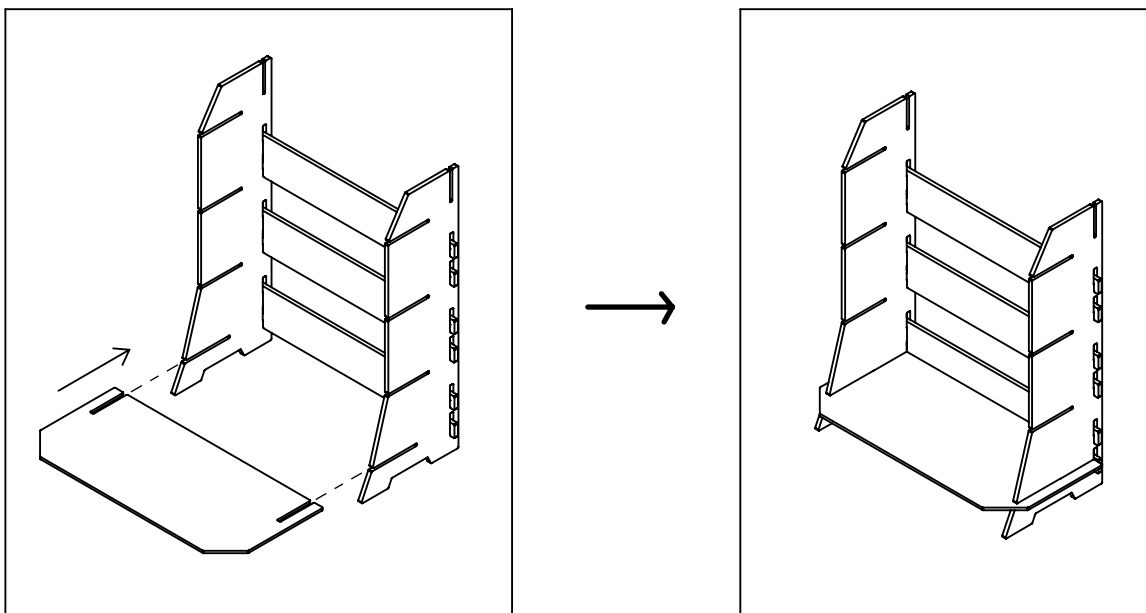
## ASSEMBLY INSTRUCTIONS

READ ALL INSTRUCTIONS BEFORE YOU BEGIN. DO NOT JUMP AHEAD OF ANY STEP.

**STEP 2:** Repeat STEP 1 with the remaining Side Panel, inserting the hooks into slots.



**STEP 3:** Insert the Bottom Shelf into the bottom slots on the Side Panels. *Note: If needed, using a rubber mallet (sold separately), gently tap the parts into place.*

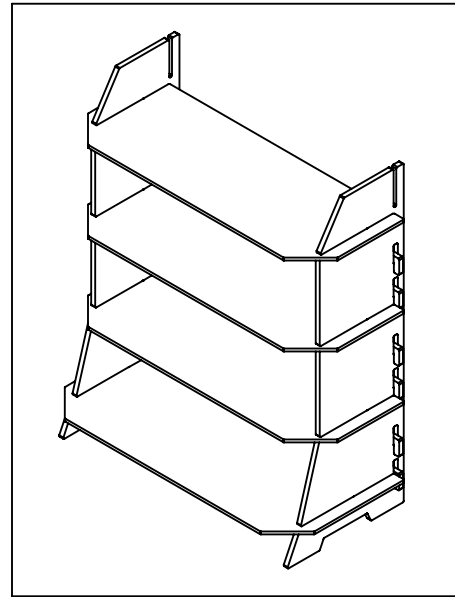
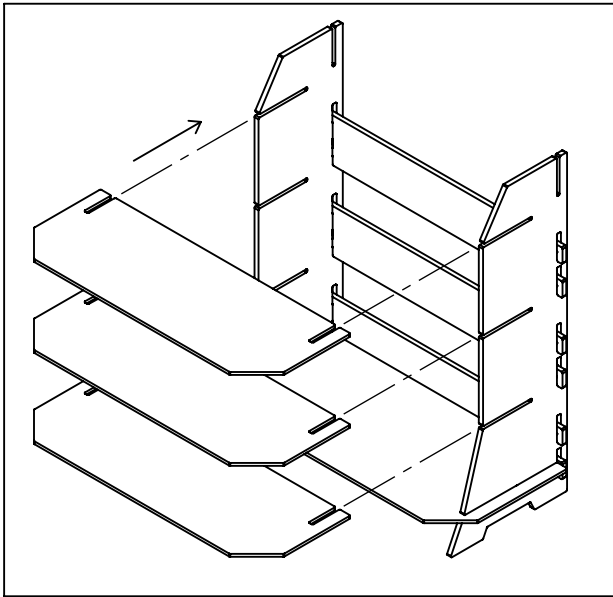


# #18002, #18443 Wooden Large Floor Standing 4 Shelf Display with Headboard

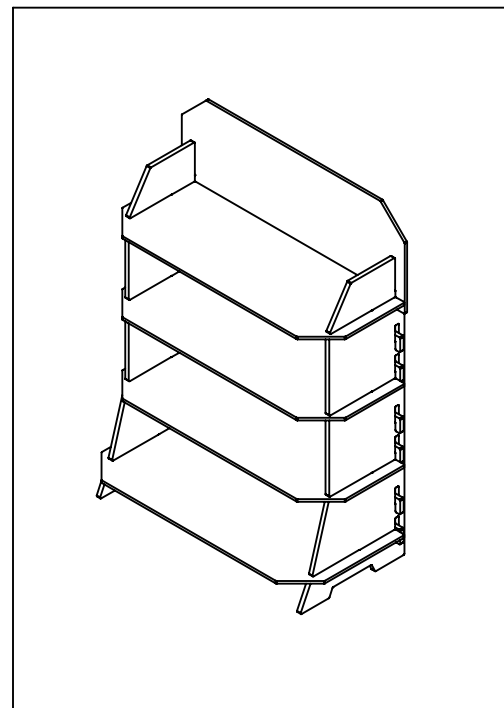
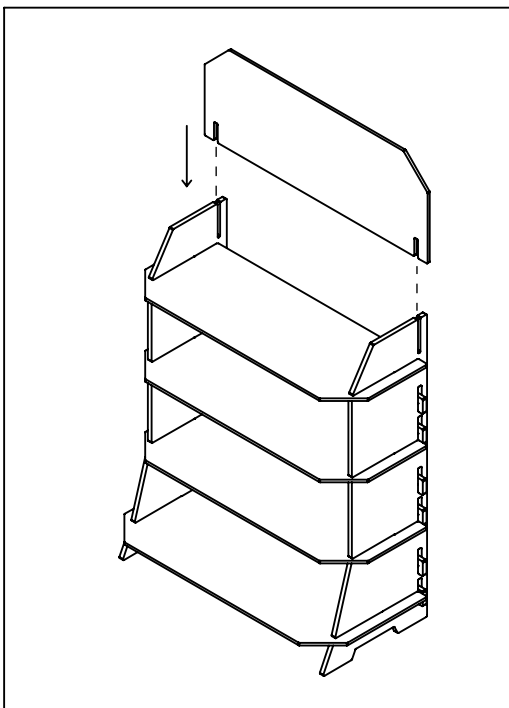
## ASSEMBLY INSTRUCTIONS

READ ALL INSTRUCTIONS BEFORE YOU BEGIN. DO NOT JUMP AHEAD OF ANY STEP.

**STEP 4:** Insert the Middle Shelves into the remaining horizontal slots on the Side Panels. *Note: If needed, using a rubber mallet (sold separately), gently tap the parts into place.*



**STEP 5:** Insert the Header into the top vertical slots on both Side Panels, as shown below. *Note: If needed, using a rubber mallet (sold separately), gently tap the parts into place.*



# ASSEMBLY COMPLETED

